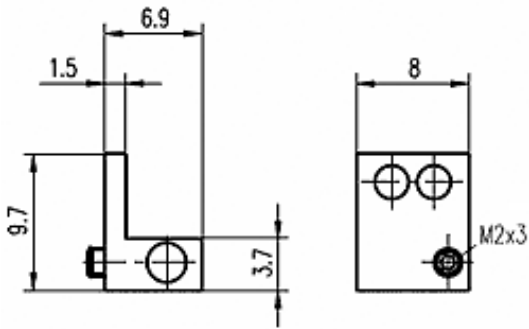


Accessories: Mounting unit BMF 303-HW-60



Common Data

Version
Usable with

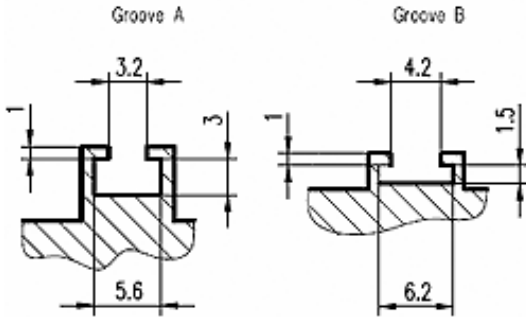
Bracket
Pneumatic cylinder with T-groove

T-groove 5,9mm

Mechanical Data

Material
Weight
Mounting

Aluminium
1
set screw DIN 916 M2x3-
A2, hexagon socket screw DIN



Datasheet number::

Definitions see general catalog.
If not otherwise noted, ratings according to
IEC 60947-5-2 (DIN EN60947-5-2)

Balluff GmbH
Schurwaldstrasse 9
73765 Neuhausen a.d.F.
Phone (07158) 173-0 Fax (07158) 5010

Datenblatt by CD-ROM - 04/2007

BALLUFF
sensors worldwide